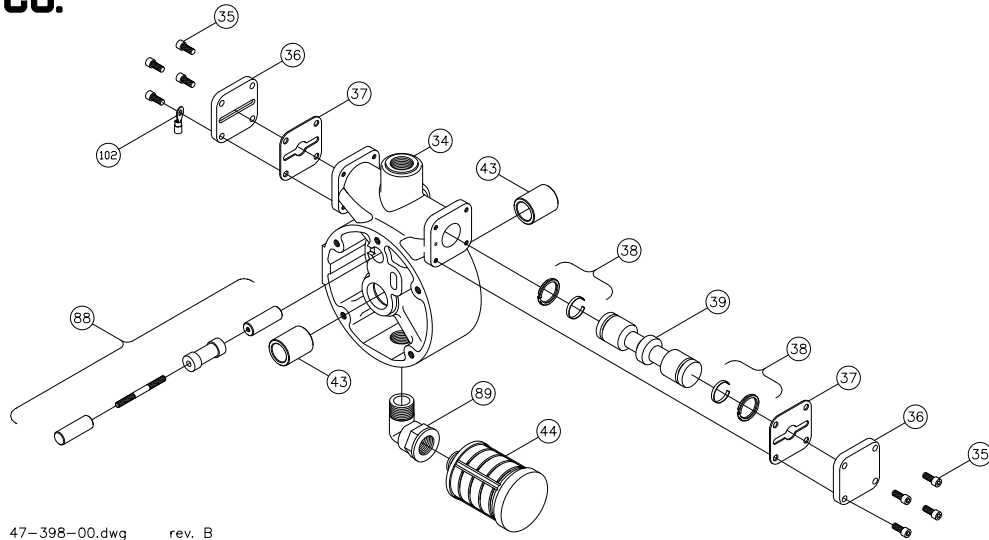




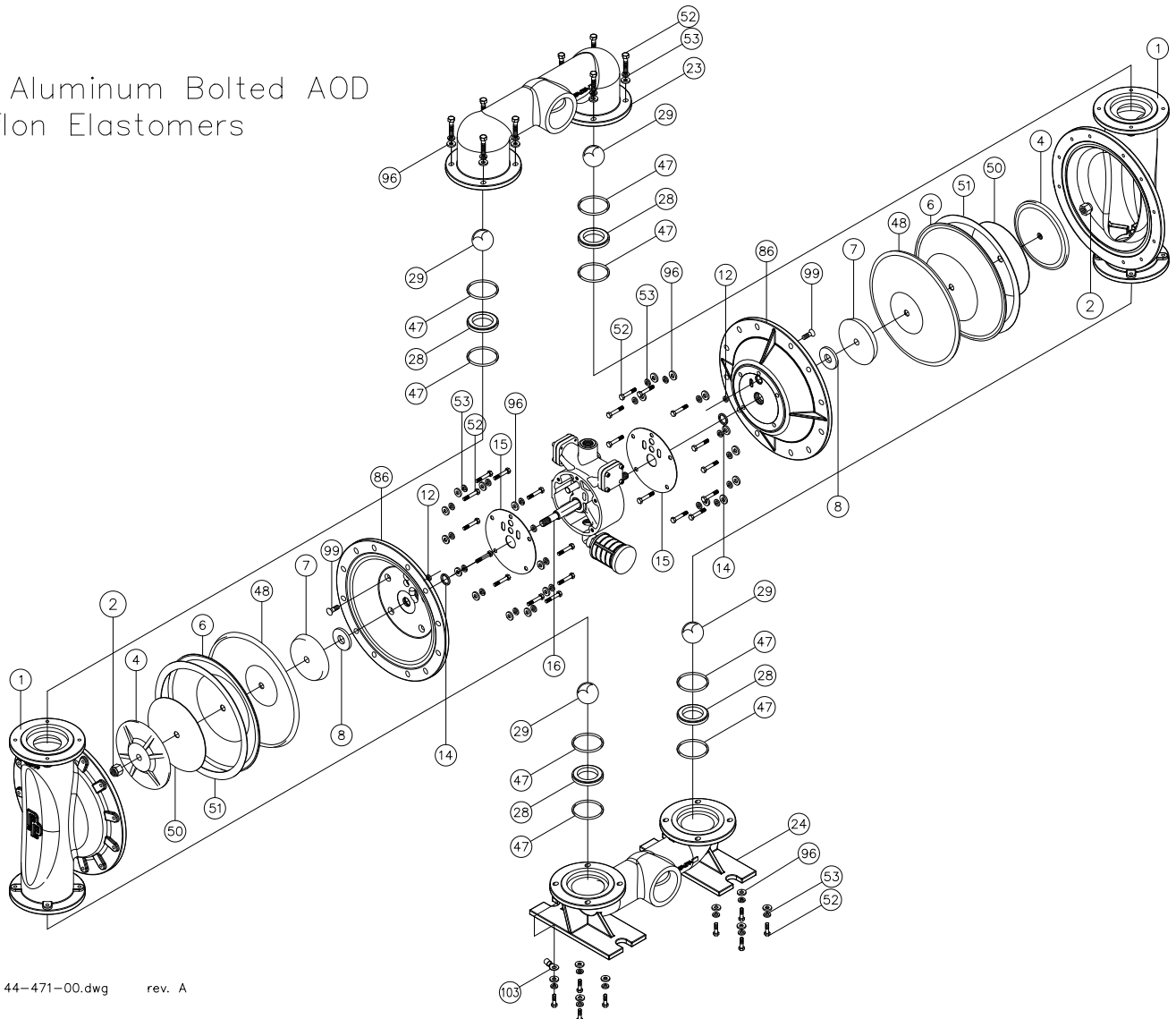
PRICE PUMP CO.

3AODB-ALtef.dwg rev. NC



47-398-00.dwg rev. B

3" Aluminum Bolted AOD
Teflon Elastomers



44-471-00.dwg rev. A

Price Pump Co.

21775 Eighth Street East * Sonoma, CA 95476-0329 * (707) 938-8441 * Fax (707) 938-0764



3" AOD Bolted Aluminum Parts List

(Teflon Elastomers)

PRICE® PUMP CO.

AOD3BAL-Tplist.doc rev. A

Key #	Description	Quantity	Part #	Material
1	Chamber, Pump	2	44-473-56	Aluminum
2	Lock Nut	2	51-775-00	Steel - Zinc Plated
4	Plate, Diaphragm (Outer)	2	44-752-04	Aluminum
6	Diaphragm	2	44-101-50	Teflon
7	Plate, Diaphragm (Inner)	2	45-504-00	Aluminum
8	Bumper	2	44-106-00	Polyurethane
12 +	Seal	2	46-058-00	Molythane
14 +	Seal	2	44-372-00	Molythane
15 +	Gasket, Air Valve / Chamber	2	44-453-00	Lexide
16	Shaft, Pump	1	46-175-00	Steel - Nitrided
23	Manifold, Discharge	1	44-472-56	Aluminum
24	Manifold, Suction	1	44-471-56	Aluminum
28	Seat, Ball Valve	4	46-332-10	Aluminum
29	Ball Valve	4	44-391-50	Teflon
34	Housing, Air Valve	1	47-339-04	Aluminum Anodized
35	Cap Screw, Socket Head	8	51-640-00	Stainless Steel
36	Cap, Spool, Air Valve	2	46-217-40	Aluminum
37 +	Gasket, Cap	2	46-218-00	Polyurethane
38 +	Piston Ring w/ Expander	2	44-366-00	Phenolic / Stainless
39 +	Spool, Air Valve	1	47-180-00	Phenolic
43 +	Sleeve, Bushing	2	44-120-00	Bronze
44 +	Muffler	1	44-127-66	Polypropylene
47	O-ring	8	46-331-00	Teflon
48	Back-up Diaphragm	2	46-233-00	Buna
50	Diaguard	2	45-503-00	Teflon
51	Gortex Tape	2	60-001-00	Teflon
52	Cap Screw	40	60-024-00	Stainless Steel
53	Lockwasher	40	60-055-00	Stainless Steel
86	Chamber, Air	2	47-237-04	Aluminum
88 +	Pilot Spool, Air Valve	1	47-587-00	Phenolic / Stainless Steel
89 +	Elbow	1	44-128-00	Polypropylene
96	Flat Washer	40	49-015-00	Stainless Steel
99	Capscrew	10	60-034-00	Alloy - Zinc Plated
102	Terminal Ring	1	60-070-00	Tin
103	Terminal Ring	1	60-072-00	Tin
	Air Valve Rebuild Kit			
	-Includes All Parts with +	1	47-665-00	
	Elastomer Kit	1	46-438-56	

Price® Pump Co.

21775 Eighth Street East * Sonoma, CA 95476-0329 * (707) 938-8441 * Fax (707) 938-0764