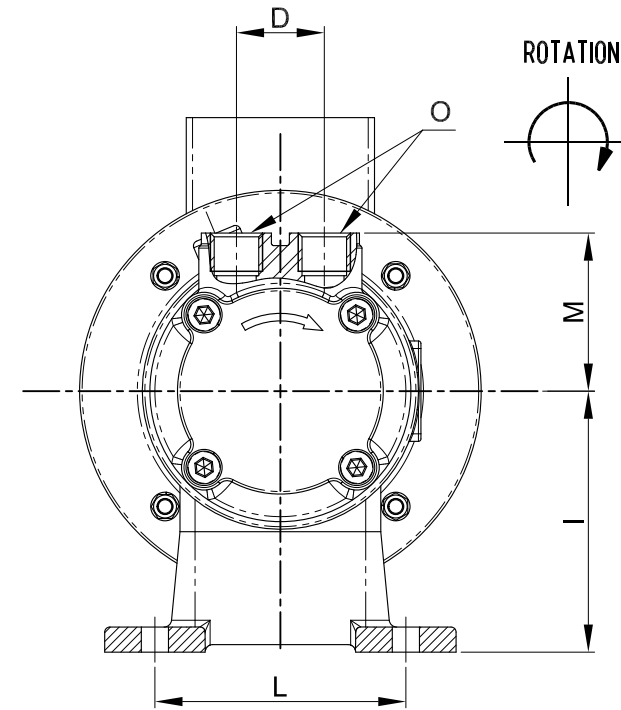
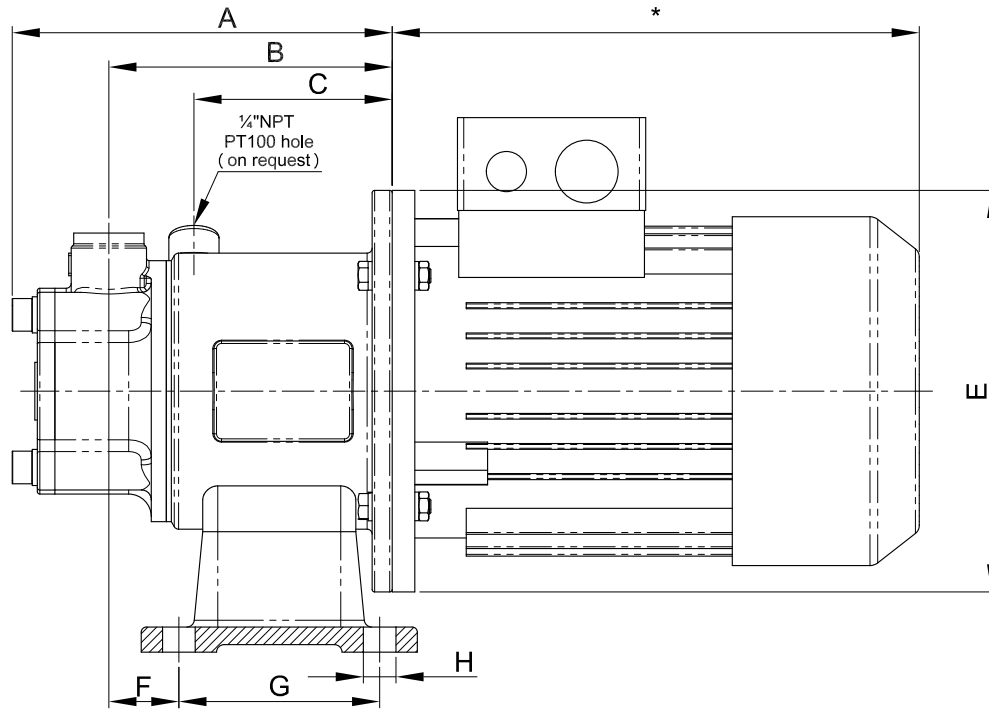


OUTLINE DRAWING

CODE: D 11119 Rev.:00



DIMENSIONS

A	B	C	D	E	F	G	H	I	L	M	O
151	113	79	35	160	28	80	13	104	100	63	1/2"

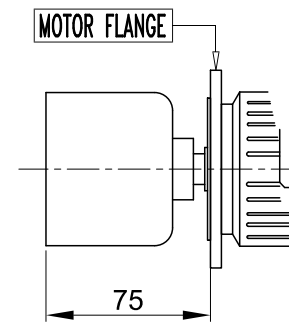
- This drawing is for reference only

- Pump may be supplied without motor

- All dimensions are in millimeters

* Depend on the manufacturer

external magnet



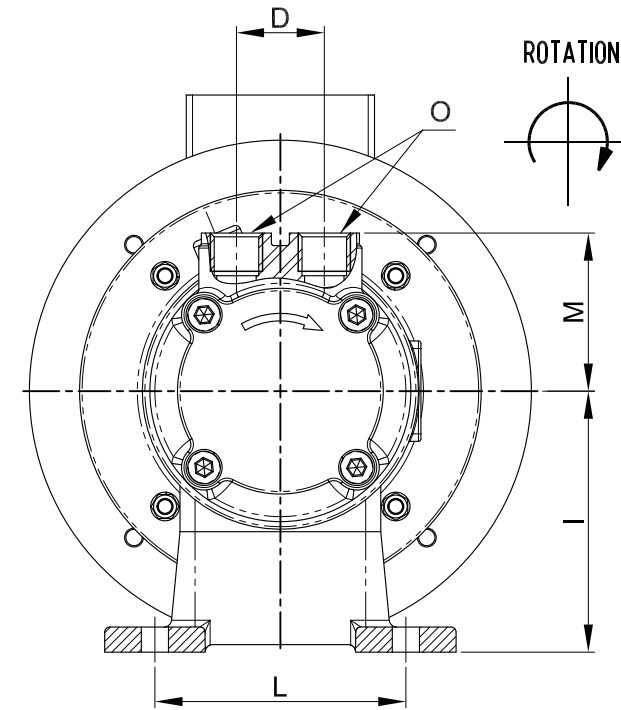
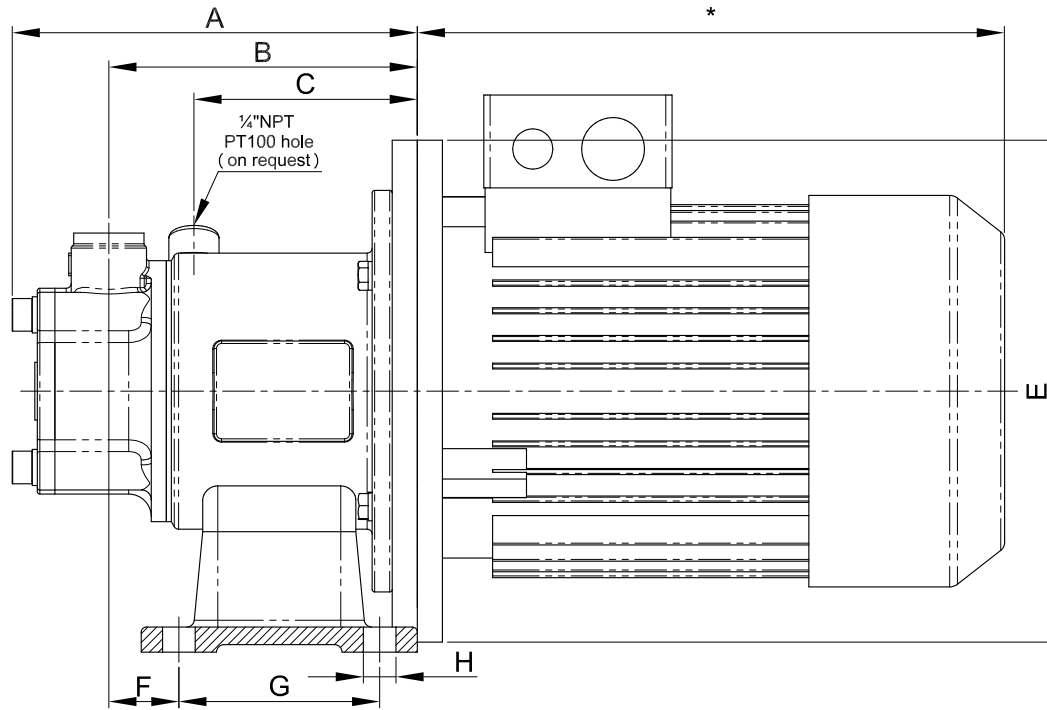
ITEM: Pump model: T ECO MAG-M1÷3

Motor: IEC Gr.71 B5
Port connection: Threaded

Standard: BSP-F UNI ISO 228/1 | NPT-F USAS B2-1/1968

OUTLINE DRAWING

CODE: D 11120 Rev.:00

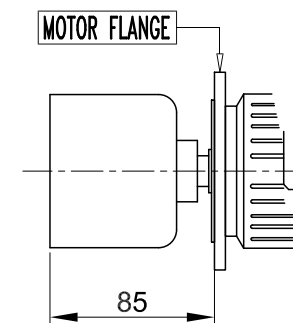


DIMENSIONS

A	B	C	D	E	F	G	H	I	L	M	O
161	123	89	35	200	28	80	13	104	100	63	1/2"

- This drawing is for reference only
 - Pump may be supplied without motor
 - All dimensions are in millimeters
- * Depend on the manufacturer

external magnet



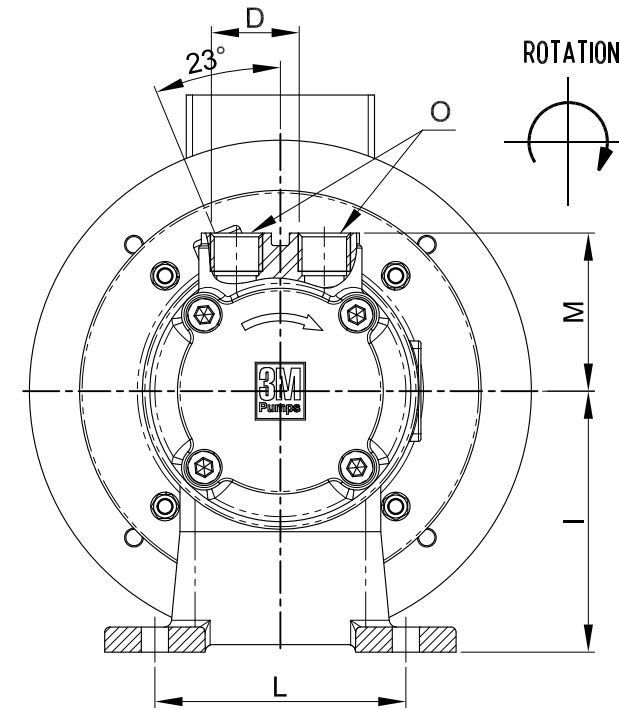
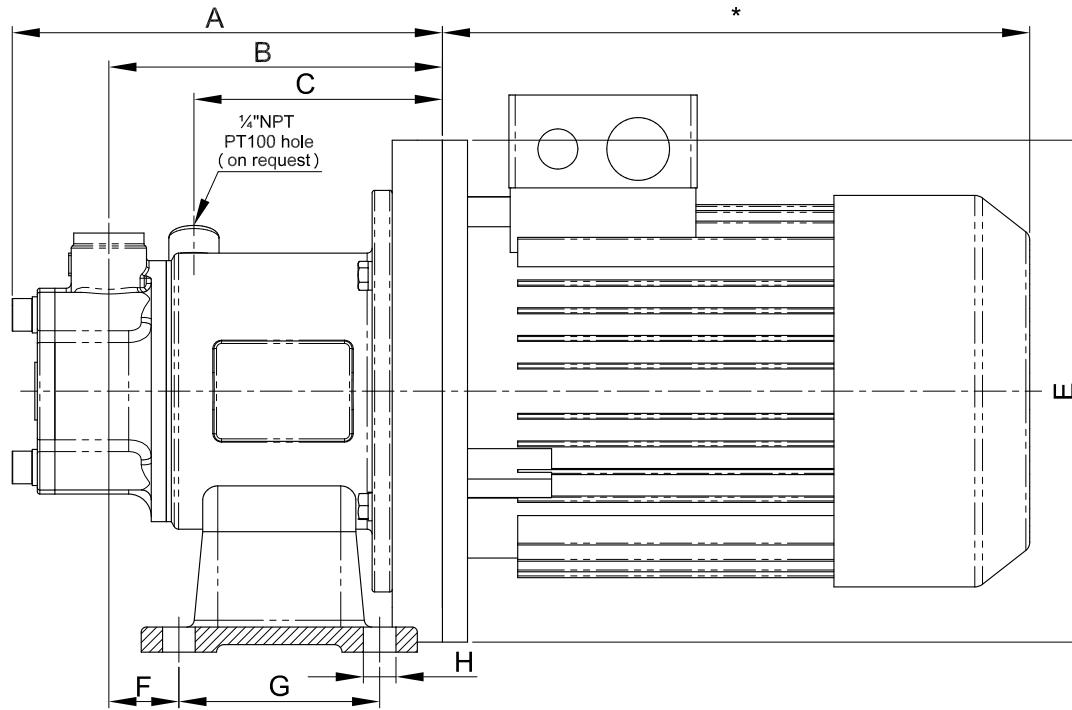
ITEM: Pump model: T ECO MAG-M1÷3

Motor: IEC Gr.80 B5
Port connection: Threaded

Standard: BSP-F UNI ISO 228/1 | NPT-F USAS B2-1/1968

OUTLINE DRAWING

CODE: D 11121 Rev.:00



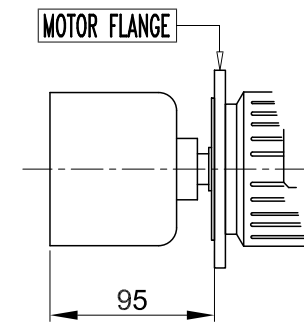
DIMENSIONS

A	B	C	D	E	F	G	H	I	L	M	O
171	133	99	35	200	28	80	13	104	100	63	1/2"

- This drawing is for reference only
- Pump may be supplied without motor
- All dimensions are in millimeters

* Depend on the manufacturer

external magnet



ITEM:
Pump model: T ECO MAG-M1÷3

Motor: IEC Gr.90 B5
Port connection: Threaded

Standard: BSP-F UNI ISO 228/1 | NPT-F USAS B2-1/1968