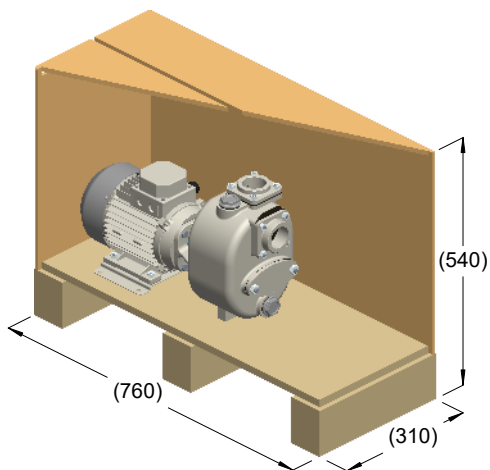
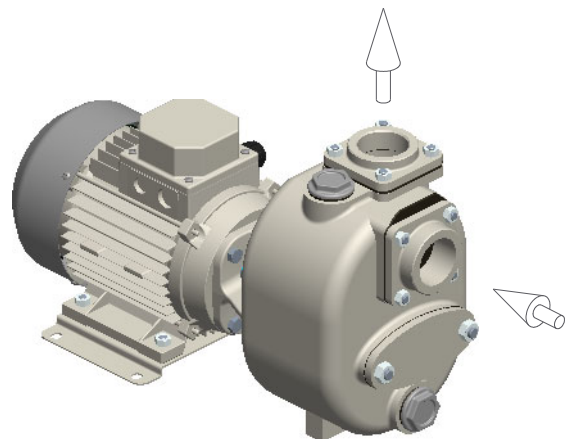




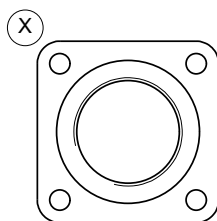
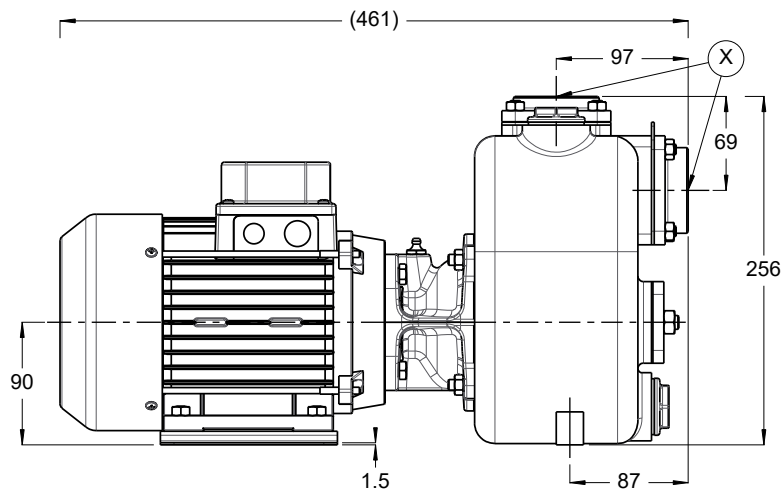
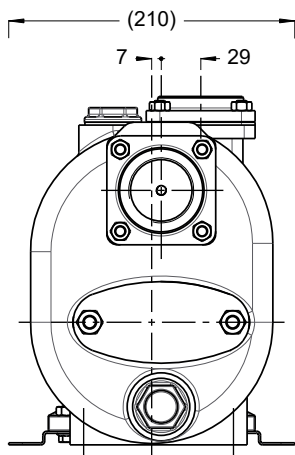
S 40 ...T



kg = 34
m³ = 0.13



kg = 29



R 1½" BSP

