

Spare Parts List

4 Size Pumps

Ultima

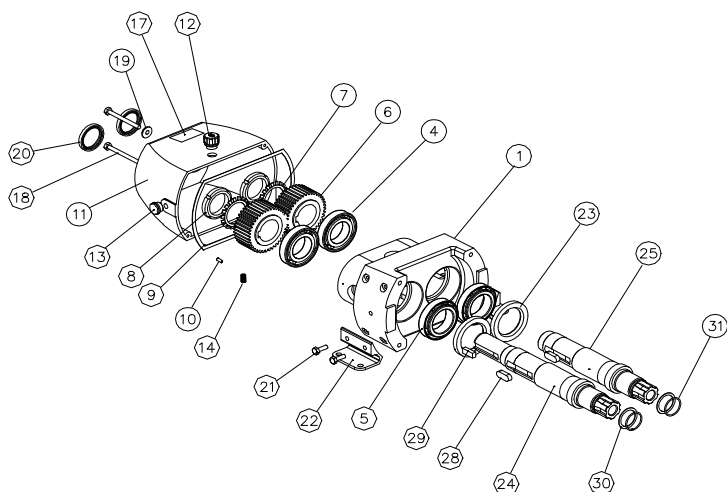


Contents

Page 1	-	Gearbox & Bearing Housing
Page 2	-	Wet End - Rotor Case & Rotors
Page 3	-	Single Mechanical Seal
Page 4	-	Flush For Single Mechanical Seal
Page 5	-	Double Mechanical Seal Conversion Kit
Page 6	-	Thermal Jackets
Page 7	-	Tools

4 Size Pumps

Gearbox & Bearing Housing

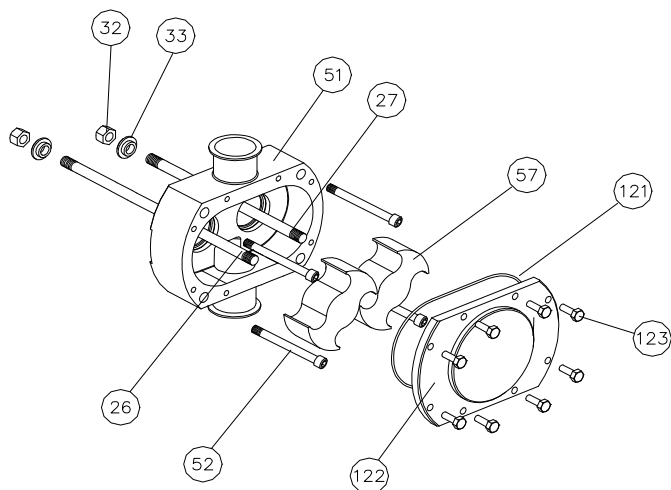


Key No.	Description	Where used	Part No.	Qty Req.
1	Bearing carrier Housing - Stainless Steel 304	42 & 44 Size	54405-0000	1
4	Bearing Rear	42 & 44 Size	92601-0480	2
5	Bearing Front	42 & 44 Size	92601-0480	2
6	Timing Gear Set (2 gears per set)	42 & 44 Size	54408-0000	1
7	Tab Washer - Gear Nut	42 & 44 Size	92601-0482	2
8a	Gear Nut	42 & 44 Size	92601-0481	2
9	Gasket Gear Cover	42 & 44 Size	54407-0000	1
10	Roll Pin - Bearing Carrier Housing	42 & 44 Size	SP3100-0225	2
11	Gear Cover - Stainless Steel 304	42 & 44 Size	56406-0000	1
12	Plug - Oil Filler/Breather	42 & 44 Size	24020-0002	1
13	Oil Level Window	42 & 44 Size	SP8022-2248	1
14	Drain Plug	42 & 44 Size	SP2650-0220	1
15	Label - Ultima	42 & 44 Size	23005-1821	1
16	Label - Rotary Lobe Pump	42 & 44 Size	23005-1822	1
18	Screw - Gear Cover	42 & 44 Size	X3001-195F	2
19	Washer (Nylon) - Gear Cover	42 & 44 Size	SP1613-1389	2
20	Lip Seal - Rear Gear Cover	42 & 44 Size	SP2701-0903	2
21	Screws - Foot Mounting	42 & 44 Size	X3007-182F	4
22	Foot - Horizontal Ports (Stainless steel) - Vertical Ports (Stainless steel)	42 & 44 Size	54418-0000 54419-0000	2
23	Lip Seal - Front Bearing Carrier Housing	42 & 44 Size	92701-1027	2
	Pump Serial no.s higher than (42 Size) 30199 (44 Size)30219 use	⇒	92701-1045	
24	Shaft - Driving	42 Size 44 Size	56427-0000 56447-0000	1
25	Shaft - Driven	42 Size	56428-0000	1
28	Key - Timing Gear Drive	42 & 44 Size	X4000-461A	2
29	Key - Drive Shaft	42 & 44 Size	X4000-487A	1
30	Shim Kit - Rotor Clearance	42 & 44 Size	54486-0000B	1
31	O-Ring - Shim Retention - Nitrile	42 & 44 Size	92000-1422	2

	Gearbox Service Kit Consists of: 2 x Front Oil Seal for bearing housing 2 x Rear Oil Seal for gear cover 1 x Gasket - Gear cover 2 x Washer for sealing gear cover screws	42 & 44 Size	54485-0000B	1
--	--	--------------	-------------	---

4 Size Pumps

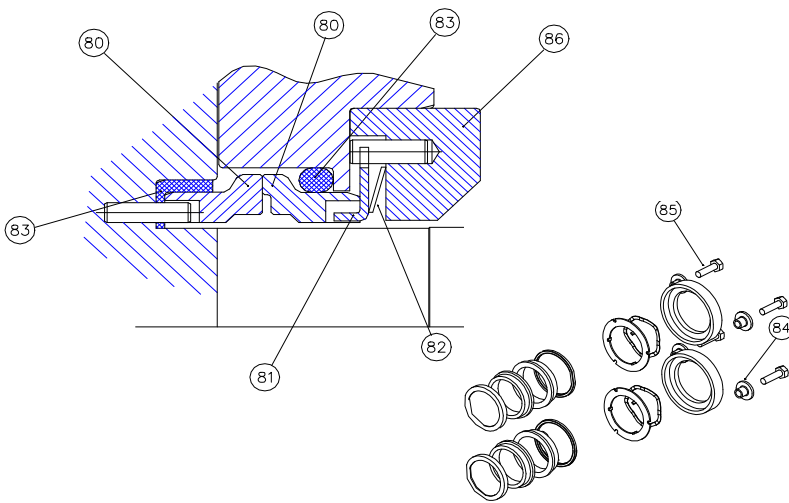
Wet End
Rotor Case & Rotors



Key No.	Description	Where used	Part No.	Qty Req.
26	Tie rod - drive shaft	42 Size 44 Size	56425-0000 56445-0000	1
27	Tie rod - driven shaft	42 Size 44 Size	56426-0000 56446-0000	1
32	Nut	42 & 44 Size	X3070-104F	2
33	Washer - Locking	42 & 44 Size	56432-0000	2
51	Rotor Case with Welded Tri Clamp Ports Standard Machined Finish Electro-Polish Finish 0.5 Micron & Electro-Polish Finish	42 Size 44 Size 42 Size 44 Size 42 Size 44 Size	56423-1000 56443-1000 56423-1090 56443-1090 56423-1010 56443-1010	1
Note: For rotor cases with different port types please contact Jabsco				
52	Screw - Rotor Case	42 Size 44 Size	X3007-218F X3007-222F	4
57	Rotor Kit (Includes 2 x rotors) High Pressure (316L SS) - Standard Machined High Pressure (316L SS) - Electro-Polish High Pressure (316L SS) - 0.5 Micron & Electro-Polish High Efficiency (316L SS) - Standard Machined High Efficiency (316L SS) - Electro-Polish High Efficiency (316L SS) - 0.5 Micron & Electro-Polish	42 Size 44 Size 42 Size 44 Size 42 Size 44 Size 42 Size 42 Size 42 Size	56422-1009B 56442-1009B 56422-1099B 56442-1099B 56422-1019B 56442-1019B 56422-1008B 56422-1098B 56422-1018B	1
60	Shaft Guard (Not Shown on Exploded View)	42 & 44 Size	24068-0001	2
61	Shaft Guard Stud (Not Shown on Exploded View)	42 & 44 Size	24069-0002	2
62	Shaft Guard Nut (Not Shown on Exploded View)	42 & 44 Size	X3070-061F	2
121	Gasket - End Cover - EPDM - Viton - PTFE	42 & 44 Size	56473-0007 56473-0004 56473-0002	1
121a	O-Ring - Barrier (secondary)	42 & 44 Size	92000-6051	1
122	End Cover - Controlled Compression Joint (Gasket) Standard Machined Finish Electro-Polish Finish 0.5 Micron & Electro-Polish Finish End Cover - Controlled Compression Joint + Barrier Standard Machined Finish Electro-Polish Finish 0.5 Micron & Electro-Polish Finish	42 & 44 Size	56409-0000 56409-0090 56409-0010 56409-0005 56409-0095 56409-0015	1
123	Bolt - End Cover	42 & 44 Size	X3001-211F	4

4 Size Pumps

Single Mechanical Seal



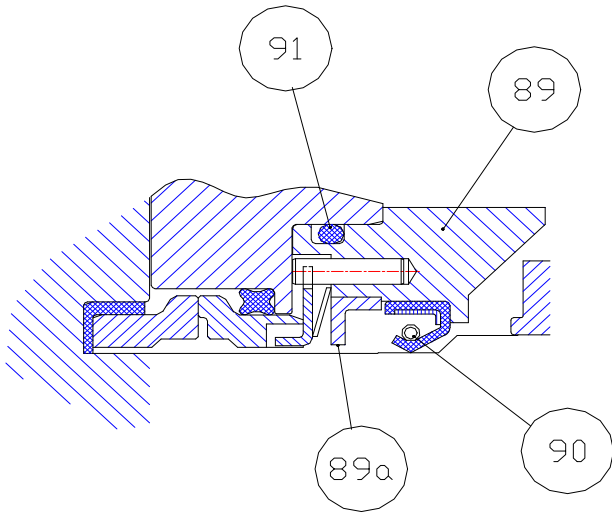
Key No.	Description	Where used	Part No.	Qty Req.
80	Primary Seal Face Kit (Includes both faces) - Carbon/Stainless Steel - Carbon/Silicon Carbide - Silicon Carbide/Silicon Carbide	42 & 44 Size	96080-0606 96080-0595 96080-0597	2
81	Drive Plate - Mechanical Seal	42 & 44 Size	X5240-004	2
82	Wave Spring	42 & 44 Size	X5250-017	2
83	Single Seal Trim Kit - EPDM - Viton - PTFE	42 & 44 Size	96080-0598 96080-0601 Use 83a, 83b & 83c	2
83a	Washer under Seal Rotary Face (fitted to rotor) - Viton	42 & 44 Size	54020-0004	2
83b	PTFE Sleeve (fitted to rotor)	42 & 44 Size	54411-0000	2
83c	PTFE Encapsulated O-Ring	42 & 44 Size	92000-6024	2
84	Clamp Plate - Seal Housing	42 & 44 Size	56011-0000	4
85	Screw - Seal Housing	42 & 44 Size	X3001-209F	4
86	Seal Housing Kit (Includes wave spring)	42 & 44 Size	96080-0599	2

	Seal Service Kit	42 & 44 Size		1
	Carbon/Stainless		56499-0002 56499-0003 56499-0004	
	- EPDM			
	- Viton			
	- PTFE			
	Carbon/Silicon Carbide		56499-0006 56499-0007 56499-0008	
	- EPDM			
	- Viton			
	- PTFE			
	Silicon Carbide/Silicon Carbide		56499-0010 56499-0011 56499-0012	
	- EPDM			
	- Viton			
	- PTFE			

Consists of: 2 x Primary seal face kit, 2 x single seal trim kit, 2 x Seal housing kit, & 2 x O-Ring - Shim retention, 1 x end cover gasket

4 Size Pumps

Flush for Single Mechanical Seals



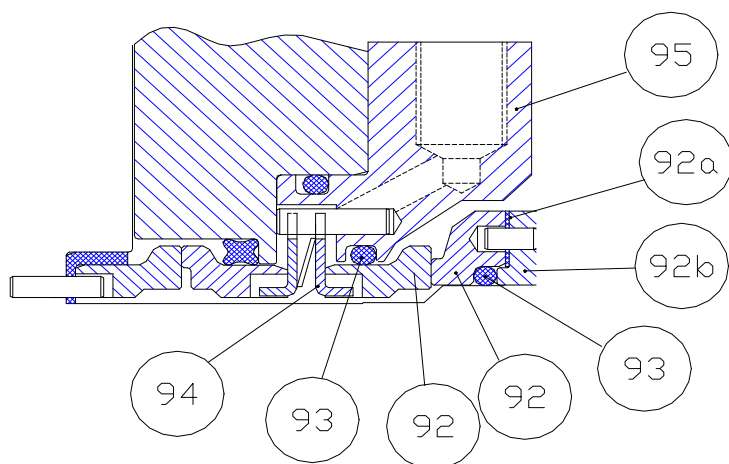
Key No.	Description	Where used	Part No.	Qty Req.
89	Seal Housing Kit	42 & 44 Size	96080-0604	2
89a	Washer	Supplied as part of Seal Housing Kit		
90	Lip Seal - Seal Housing (Nitrile)	42 & 44 Size	92701-1024	2
91	O-Ring - Seal Housing (Nitrile)	42 & 44 Size	92000-1455	2

Seal housing kit consists of:
 1 x wave spring, 1 x drive ring, 1 x o-ring (3), 1 x flush housing, 1 x washer (1a), 3 x pin.

	Flushed Seal Conversion Kit - Nitrile Consists of: 2 x Seal Housing Kit, 2 x Lip Seal	42 & 44 Size	54499-0025	1
--	---	--------------	------------	---

4 Size Pumps

Double Mechanical Seal Conversion Kit



Key No.	Description	Where used	Part No.	Qty Req.
92	Secondary Seal Face Kit - Carbon/Silicon Carbide	42 & 44 Size	96080-0596	2
92a	Rubber Washer - EPDM	Supplied as part of Secondary Seal Face Kit		
92b	Drive Ring	Supplied as part of Secondary Seal Face Kit		
93	Secondary Seal Trim Kit - EPDM - Viton	42 & 44 Size	96080-0600	2
		42 & 44 Size	96080-0602	
94	Drive Plate - Mechanical Seal Secondary	42 & 44 Size	X5240-004	2
95	Seal Housing Kit	42 & 44 Size	96080-0603	2

Secondary Seal Face Kit Consists of:
1 x Face inboard & seat outboard, 1 x Rotary seal face (outboard), 1 x gasket, 1 x drive ring, 1 x pin

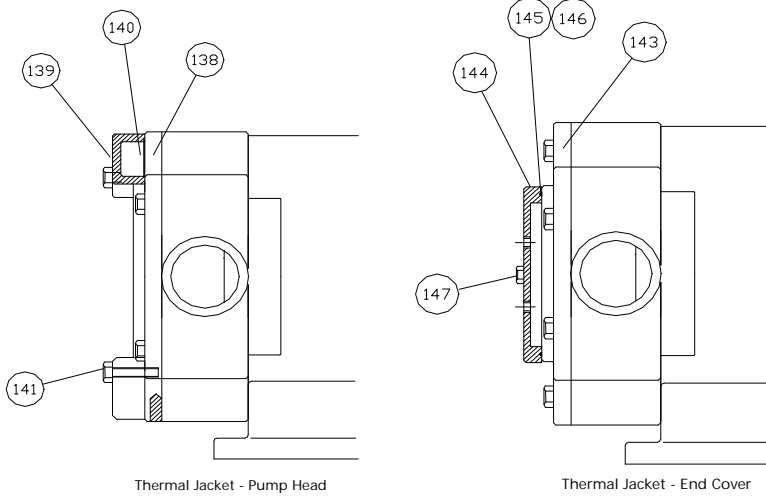
Secondary Seal Trim Kit Consists of:
1 x O-ring (2.62x33), 1 x O-ring (2.62x28.25), 1 x O-ring (2.62x50.47)

Seal Housing Kit Consists of:
1 x Wave spring, 2 x Drive ring, 1 x Double flush housing, 3 x Pins

	Double Mechanical Seal Conversion Kit Consists of: 2 x Secondary Seal Face Kit. 2 x Secondary Seal Trim Kit, 2 x Drive Plate Mechanical Seal, 2 x Seal Housing Kit	42 & 44 Size	54499-0030	1
--	---	--------------	------------	---

4 Size Pumps

Thermal Jackets



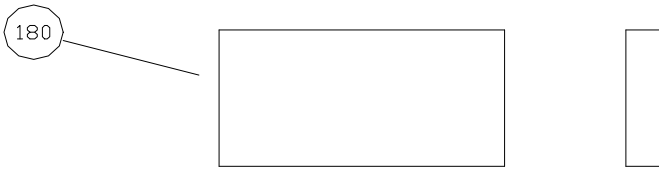
Key No.	Description	Where used	Part No.	Qty Req.
Thermal Jacket - Pump Head				
138	End Cover	42 & 44 Size	56409-0003	1
139	Jacket	42 & 44 Size	54401-0001	2
140	O-Ring	42 & 44 Size	X4020-357B	2
141	Screws	42 & 44 Size	X3001-213F	4

Pump Head Jacket Kit (Includes all of the components above)	42 & 44 Size	56480-0003B	1
---	--------------	-------------	---

Thermal Jacket - End Cover				
143	End Cover	42 & 44 Size	54409-0004	1
144	Jacket	42 & 44 Size	55379-0000	1
145	O-Ring - Outer	42 & 44 Size	X4020-384B	1
146	O-Ring - Inner	42 & 44 Size	X4020-112B	1
147	Screws	42 & 44 Size	X3007-217F	1

End Cover Jacket Kit (Includes all of the components above)	42 & 44 Size	56480-0004B	1
---	--------------	-------------	---

4 Size Pumps



Tools

Key No.	Description	Where used	Part No.	Qty Req.	
182	Tool - Seal Seat Removal	42 & 44 Size	54677-0000	1	
180	Tool - Rotor Locking Pad	42 & 44 Size	55027-0004	1	