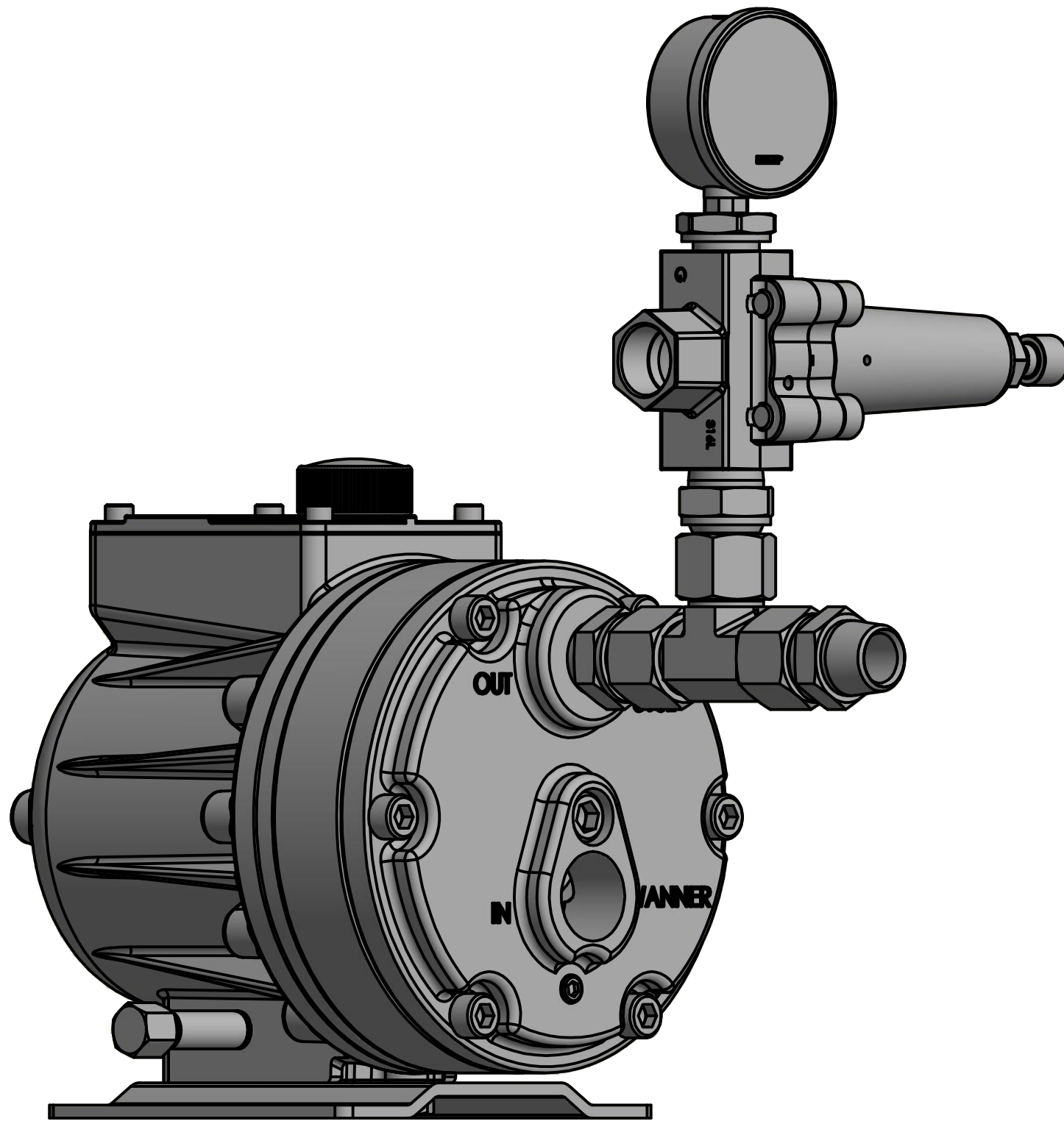


Connection suction side 1" BSPT  
 Connection pressure side 3/4" BSPT  
 Connection valve 3/4" BSPT  
 Valve model C62 or C22  
 Pressure gauge 1/4" BSP  
 Pipe fittings in steel



Pos	Qty	Description	Article number
1	1	Pump Hydra-Cell	G10 with metallic pump head
2	1	Valve Hydra-Cell	C62
3	1	Pressure gauge	1/4" thread 63mm house
4	3	Adapter 3/4" G - 3/4" R	7012-12-12
5	1	T-piece 3/4" N - 3/4" N - 3/4" N	7402-12-12
6	1	Adapter 3/4" G - 1/4" G	7017-12-04

Revised 2021-08-13

Designer tsgool	Checked by	Approved by - date	General tolerance SS-ISO 2768-1	General finish, Ra	Views 	Scale
			Title / Description Wanner Hydra-Cell with valve and gauge		Program INV	Date 2014-06-05
			Drawing number G10_C62_gauge			